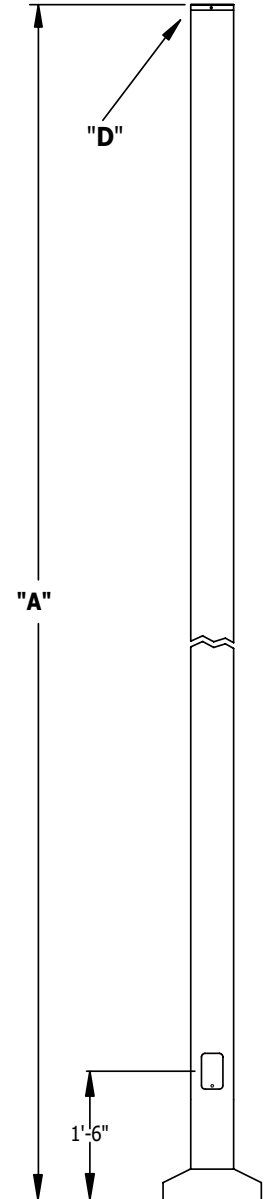
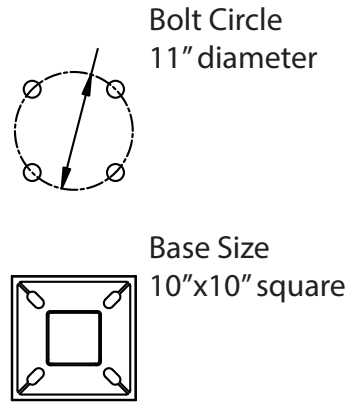


# SQUARE POLES

Perfect for Pole Mounting various Jarvis Lighting fixtures including AR3, Box, and AL series light attached to a slip fitter.

## HIGHLIGHTS

- One Piece Construction
- Weldable, carbon grade steel
- Zinc undercoat with bronze powdercoat finish
- Includes base plate cover and 3/4" Anchor Bolts
- Includes hand hole for wiring and ground lug
- Four pre-drilled holes at top (one on each side)
- Wall Thickness: 11 gauge
- Bolt Circle: 11"
- Base Size: 10"x10"



## ORDERING CHART

product family	shaft size "D"	shape	height "A"	bolt circle
SPL	4 4" x 4" 5 5" x 5"	S square	20 20 feet	11 11 inches

## PRODUCT OFFERING

MODEL	INPUT	DESCRIPTION
SPL-4-S-20-11	standard pole	4" square steel pole, 20' height, 11" bolt circle
SPL-5-S-20-11	standard pole	5" square steel pole, 20' height, 11" bolt circle

*For weight, wind load and shipping information, contact your Jarvis Lighting sales representative*