

ARJ Technical Specifications



ARJ Series LED Area Light

General Product Description

The Jarvis ARJ Series LED Area Light is designed to illuminate parking lots and other large areas. The product includes either an adjustable slipfitter or square and round pole direct mount.



*ARJ-400 with
Slipfitter Mount*

*ARJ-750 with
Direct Mount*



Electrical

Input Voltage: 120-277V 50/60Hz

Power Factor: >.9 at full load

Total Harmonic Distortion: <20% full load

Includes over voltage protection, over current protection, and short circuit protection

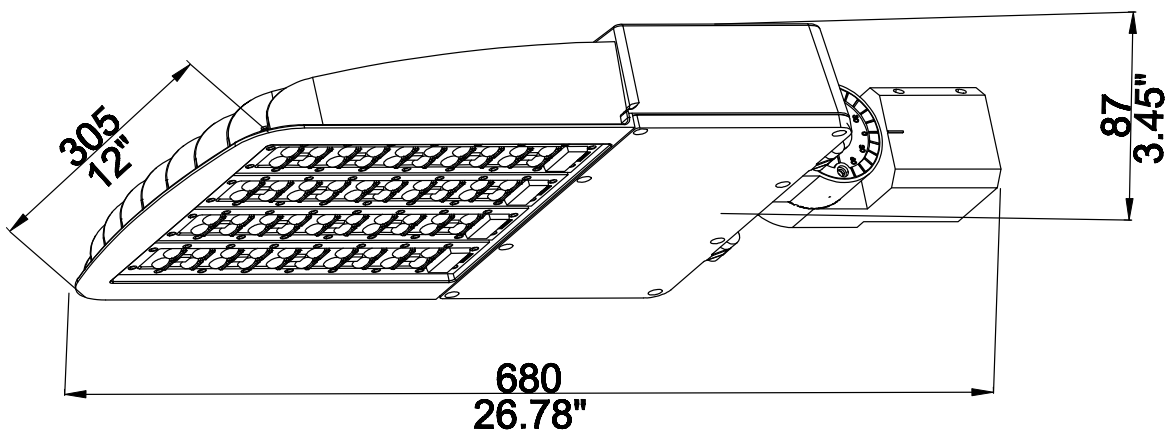
Operating Temperature Range: -35°C to 40° C Ambient (-35°F to 104°F)

Over Temperature Protection: Light fixture automatically reduces power level when operating in higher temperatures to ensure componentry does not overheat. Full power levels are resumed automatically when temperatures return to rated operating range.



Models and Specifications:

Model	Description	Input	Power	Lumens	CCT	CRI	PF
ARJ-300-50K-UV-T3-[WHT,BRZ]-KA-DM	Direct Mount w/ 0-10V Dimming	120-277V 50/60Hz	100W	14,500	5000K	≥ 70	≥ 0.9
ARJ-300-50K-UV-T3-[WHT,BRZ]-KA-PC	Direct Mount w/ Twist Lock Photo Cell	120-277V 50/60Hz	100W	14,500	5000K	≥ 70	≥ 0.9
ARJ-300-50K-UV-T3-[WHT,BRZ]-KA-MS	Direct Mount w/ Integral Motion Sensor	120-277V 50/60Hz	100W	14,500	5000K	≥ 70	≥ 0.9
ARJ-300-50K-UV-T3-[WHT,BRZ]-SFM-DM	Slipfitter Mount w/ 0-10V Dimming	120-277V 50/60Hz	100W	14,500	5000K	≥ 70	≥ 0.9
ARJ-300-50K-UV-T3-[WHT,BRZ]-SFM-PC	Slipfitter Mount w/ Twist Lock Photo Cell	120-277V 50/60Hz	100W	14,500	5000K	≥ 70	≥ 0.9
ARJ-300-50K-UV-T3-[WHT,BRZ]-SFM-MS	Slipfitter Mount w/ Integral Motion Sensor	120-277V 50/60Hz	100W	14,500	5000K	≥ 70	≥ 0.9
ARJ-400-50K-UV-T3-[WHT,BRZ]-KA-DM	Direct Mount w/ 0-10V Dimming	120-277V 50/60Hz	150W	21,750	5000K	≥ 70	≥ 0.9
ARJ-400-50K-UV-T3-[WHT,BRZ]-KA-PC	Direct Mount w/ Twist Lock Photo Cell	120-277V 50/60Hz	150W	21,750	5000K	≥ 70	≥ 0.9
ARJ-400-50K-UV-T3-[WHT,BRZ]-KA-MS	Direct Mount w/ Integral Motion Sensor	120-277V 50/60Hz	150W	21,750	5000K	≥ 70	≥ 0.9
ARJ-400-50K-UV-T3-[WHT,BRZ]-SFM-DM	Slipfitter Mount w/ 0-10V Dimming	120-277V 50/60Hz	150W	21,750	5000K	≥ 70	≥ 0.9
ARJ-400-50K-UV-T3-[WHT,BRZ]-SFM-PC	Slipfitter Mount w/ Twist Lock Photo Cell	120-277V 50/60Hz	150W	21,750	5000K	≥ 70	≥ 0.9
ARJ-400-50K-UV-T3-[WHT,BRZ]-SFM-MS	Slipfitter Mount w/ Integral Motion Sensor	120-277V 50/60Hz	150W	21,750	5000K	≥ 70	≥ 0.9
ARJ-600-50K-UV-T3-[WHT,BRZ]-KA-DM	Direct Mount w/ 0-10V Dimming	120-277V 50/60Hz	200W	29,000	5000K	≥ 70	≥ 0.9
ARJ-600-50K-UV-T3-[WHT,BRZ]-KA-PC	Direct Mount w/ Twist Lock Photo Cell	120-277V 50/60Hz	200W	29,000	5000K	≥ 70	≥ 0.9
ARJ-600-50K-UV-T3-[WHT,BRZ]-KA-MS	Direct Mount w/ Integral Motion Sensor	120-277V 50/60Hz	200W	29,000	5000K	≥ 70	≥ 0.9
ARJ-600-50K-UV-T3-[WHT,BRZ]-SFM-DM	Slipfitter Mount w/ 0-10V Dimming	120-277V 50/60Hz	200W	29,000	5000K	≥ 70	≥ 0.9
ARJ-600-50K-UV-T3-[WHT,BRZ]-SFM-PC	Slipfitter Mount w/ Twist Lock Photo Cell	120-277V 50/60Hz	200W	29,000	5000K	≥ 70	≥ 0.9
ARJ-600-50K-UV-T3-[WHT,BRZ]-SFM-MS	Slipfitter Mount w/ Integral Motion Sensor	120-277V 50/60Hz	200W	29,000	5000K	≥ 70	≥ 0.9
ARJ-750-50K-UV-T3-[WHT,BRZ]-KA-DM	Direct Mount w/ 0-10V Dimming	120-277V 50/60Hz	250W	33,750	5000K	≥ 70	≥ 0.9
ARJ-750-50K-UV-T3-[WHT,BRZ]-KA-PC	Direct Mount w/ Twist Lock Photo Cell	120-277V 50/60Hz	250W	33,750	5000K	≥ 70	≥ 0.9
ARJ-750-50K-UV-T3-[WHT,BRZ]-KA-MS	Direct Mount w/ Integral Motion Sensor	120-277V 50/60Hz	250W	33,750	5000K	≥ 70	≥ 0.9
ARJ-750-50K-UV-T3-[WHT,BRZ]-SFM-DM	Slipfitter Mount w/ 0-10V Dimming	120-277V 50/60Hz	250W	33,750	5000K	≥ 70	≥ 0.9
ARJ-750-50K-UV-T3-[WHT,BRZ]-SFM-PC	Slipfitter Mount w/ Twist Lock Photo Cell	120-277V 50/60Hz	250W	33,750	5000K	≥ 70	≥ 0.9
ARJ-750-50K-UV-T3-[WHT,BRZ]-SFM-MS	Slipfitter Mount w/ Integral Motion Sensor	120-277V 50/60Hz	250W	33,750	5000K	≥ 70	≥ 0.9



Controls and Dimming

0-10V dimming leads are default on all 120-277V input models and accessible inside fixture body.

Twist Lock Photo Controller

ARJ Series can be ordered with an integrated twist lock photo controller. The twist lock photo controller is IP65 rated and will turn the fixture on or off based on ambient light levels.

Twist Lock
Photo
Controller



Programmable Outdoor Sensor with Photocontrol and Motion-Activated Dimming

The IP65 rated outdoor sensor utilizes line voltage On/Off switching and 0-10V dimming to provide multi-level control based on both motion and/or ambient natural lighting levels. When ordered with this sensor, the fixture will automatically detect both light levels and motion. The default settings will cause the light fixture to turn completely off during the daytime and will turn on at 30% brightness at night. If motion is detected at night, the fixture will increase its brightness to 100%.

When motion is no longer detected, the light fixture will decrease its brightness back to 30%. The light fixture will then turn itself off entirely at sunrise.

The programmable outdoor sensor can be combined with a programmable controller to allow for custom programming. The controller is part number A315.

The ARJ Series is also compatible with many other photosensors and motion sensor systems. Contact a Jarvis representative for more information.



Programmable Outdoor
Motion Sensor

Construction and Materials

Housing is constructed from die-cast aluminum and features either an adjustable slipfitter mount or a direct mounting arm.

Die-cast housing features a powdercoat finish with UV protection to ensure longevity of color. Powdercoat finish is applied directly to aluminum housing and will not crack or peel. Default color is bronze. White finishes are readily available as a standard color – please indicate at time of order by selecting “-BRZ” or “-WHT” in the part number. Custom colors are available. Contact factory for additional color information

LEDs are reflow soldered to a metal core circuit board, providing greater thermal transfer than standard circuit board materials. Thermally-conductive material is positioned between LEDs and housing to provide increased thermal transfer.

Lens construction is UV-resistant PC material with Type III optics

Luminaire’s construction contains zero glass or mercury

Fasteners are stainless-steel and will not rust or create rust-streaks



Regulatory and Voluntary Qualifications

ETL listed to UL1598 and UL8750 for both US and Canada

State of California Title 24 Compliant when installed in accordance with local requirements

DesignLights Consortium® (DLC) Premium qualified product. Not all versions of this product may be DLC qualified. Please check the DLC Qualified Products List at www.designlights.org/QPL to confirm which versions are qualified.

Rated for Wet and Dry Locations

Warranty and Lifetime

ARJ Series carries a 10-year warranty, sensors and photo control warranty may differ from fixture. Contact Jarvis representative for details.

Projected LED lifetime exceeds 50,000 hours under most operating conditions. Lifetime projections are calculated using data including LM-79, LM-80 and TM-21 calculations. Contact Jarvis representative for details.

Installation

Luminaire can be installed onto round pole-top, tenon or pipe-stub up to 2.4" in diameter, with the slipfitter mount. Luminaire ships with at least 7" of wire protruding from slipfitter to allow for ease of wiring. Slipfitter is adjustable and luminaire may be positioned with LEDs parallel to ground or tilted back up to 90 degrees.

Luminaire can be installed onto either a square or round pole-side with the direct mount arm. Included round pole mounting adapter required for round pole installations. Luminaire ships with at least 9" of wire protruding from the mounting arm to allow for ease of wiring. The direct mount is non-adjustable and will mount with LEDs parallel to the ground.

Contact a Jarvis Representative for full installation instructions, videos or additional information.



*ARJ-300 with
Slipfitter Mount*

*ARJ-400 with
Direct Mount*





Accessories

Jarvis Lighting manufactures a full line of mounting tenons for 4" and 5" poles. Available accessories include single, double, triple and quadruple tenons in multiple configurations. Short and long tenons are available. Wall mount brackets are available.

Contact a Jarvis representative for information regarding our full selection of tenons.

Light Poles

Jarvis Lighting manufactures light poles that are compatible with the ARJ Series. Standard poles include 4" and 5" steel poles. Custom poles and aluminum poles are also available.

Contact Jarvis representative for information regarding light poles.

Photometrics

Photometric information, including LM-79 reports and .IES files are available for most models at www.jarvislighting.com. Site photometrics and lighting layouts are available. Contact a Jarvis representative.



ARJ-300 with Slipfitter Mount



BRIGHT DONE RIGHT™

